

Tru-Brix

R E A L B R I C K S I D I N G

INSTALLATION MANUAL



SECTION 1: GETTING STARTED

Tru-Brix Real Brick Siding is a revolutionary new method of installing brick that can be easily accomplished by reading and following Tru-Brix's Installation Instructions. Following Tru-Brix Installation Instructions will result in an attractive long lasting brick wall that provides all of the aesthetic benefits of traditional brick masonry.

Read this Installation Manual completely before starting your project. Create an installation plan that includes scheduling each area and preparing your work area to improve efficiency and productivity. Make sure that you have all of the necessary tools, scaffolding, and safety equipment to insure a safe, efficient, and beautiful project.

SUGGESTED TOOLS:

- **Metal Cut Off Saw** – A good quality metal cut off saw with a metal cutting blade is required for cutting Tru-Brix steel rails.
- **Jig Saw** – A good quality jig saw with a 18 point metal cutting blade will be required to make any Tru-Brix steel rail horizontal or pattern cuts.
- **Miter Saw or Masonry Wet Saw** – A miter saw with a masonry blade or masonry wet saw may be used to cut Tru-Brix tiles and special shapes.
- **Screw Gun** – Battery powered screw guns work best to install Tru-Brix steel rail using Tru-Brix fasteners.
- **Electric Drill and Mortar Paddles** – To adequately mix Tru-Brix mortar, we recommend using Tru-Brix mortar paddles and an electric drill. Tru-Brix mortar paddles may be purchased from your Tru-Brix dealer. The drill needs to be ½" chuck and high speed.
- **Tru-Brix Mortar Pointing Gun** – We recommend using a Tru-Brix Mortar Pointing Gun for grouting your Tru-Brix projects. This tool may be purchased from your Tru-Brix dealer.
- **Miscellaneous Hand Tools** – Tool belt, rubber mallet, hammer, nail punch, tape measure, tin snips, utility knife, carpenter pencil, chalk line, caulk gun, slap stapler, mason's pointing trowel, garden trowel, mason's soft bristle brush and joint striker.

SUGGESTED TOOLS:

- Always wear safety glasses.
 - Respirators (dust masks) must be worn when you are cutting brick or in the area that the brick are being cut. N-90 rated dust masks or better must be worn to avoid exposure to the silica dust created when dry cutting brick.
 - Hard hats must be worn when any work is being performed above head height.
 - Wear hearing protection equipment when exposed to the high pitch volume of masonry and metal cutting saws.
 - Do not wear loose fitting clothing while using power equipment or climbing.
-

TYPICAL MODERN WOOD-FRAME CONSTRUCTION:

You must first remove all of the existing siding from the wall. In the case shown in Figure 1 A, there is an existing $\frac{7}{16}$ " sheathing. The screw must penetrate the existing sheathing and grip into the stud at least 1" but no more than $1\frac{1}{4}$ ", so you will need a Tru-Brix screw that is at minimum $1\frac{3}{4}$ " and at maximum 2".

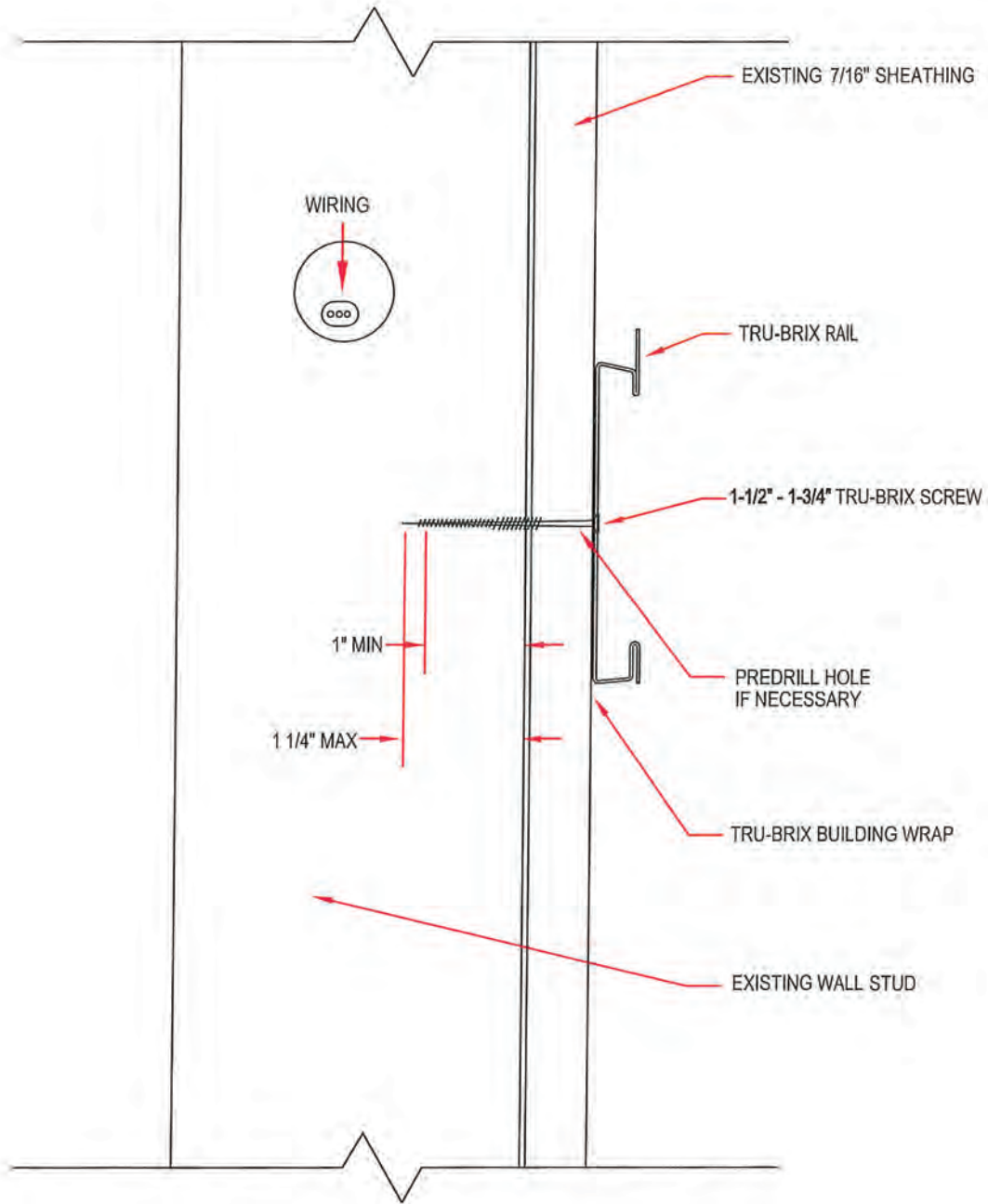


Figure 1A

In the case shown in Figure 1 C, the screws will be going through 1/2" of exterior insulating sheathing. The screws must grip into the wood framing member at least 1 inch but no more than 1 1/4", so you will need a Tru-Brix screw at minimum 1 1/2" and at maximum 1 3/4".

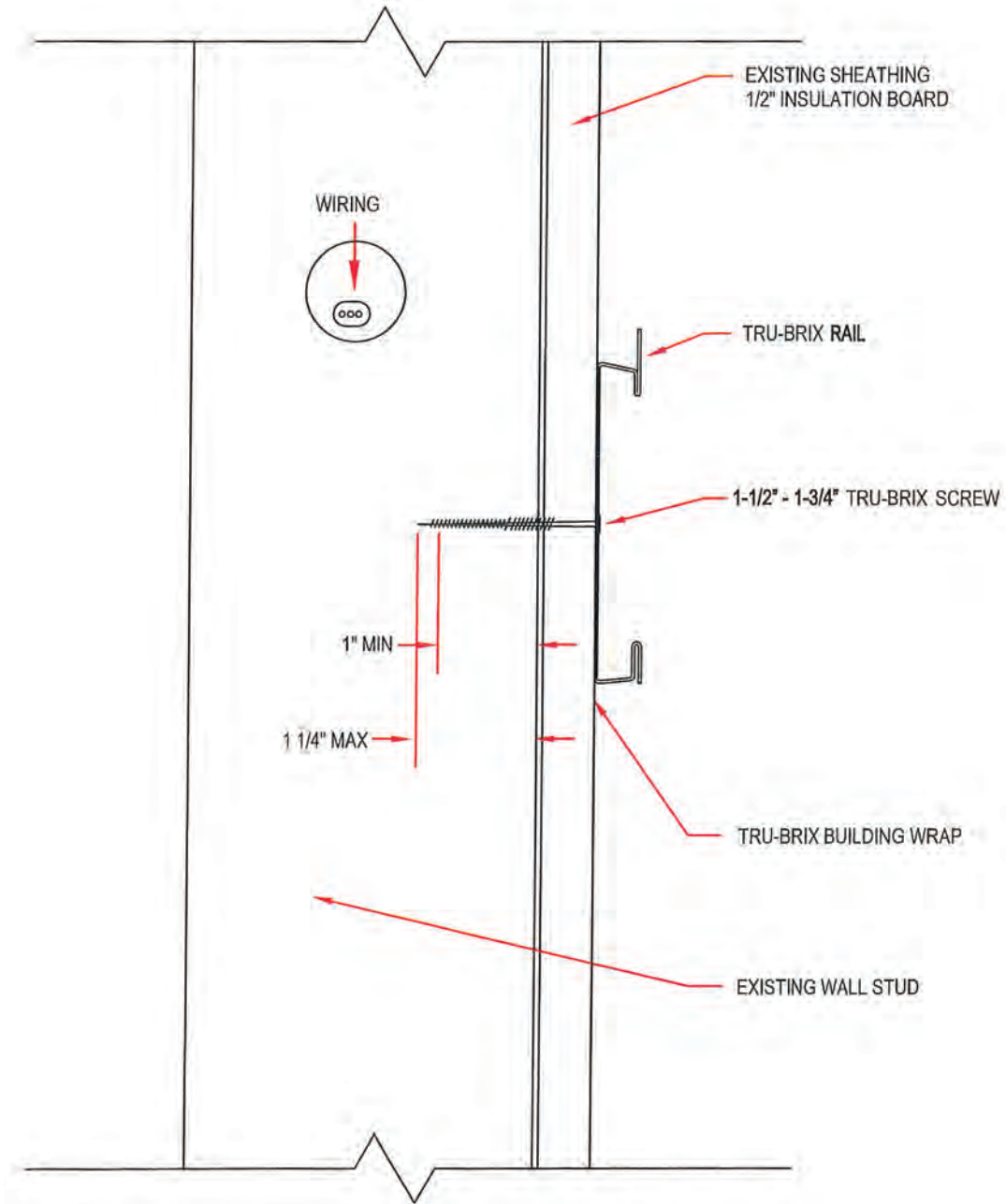


Figure 1C

PROJECTS WITH EXISTING 1 X 6 SHEATHING:

In the case shown in Figure 1E, the existing 1 x 6 is not sufficiently smooth enough to accept the rail, so it will be necessary to install a layer of 7/16" plywood over the existing sheathing; this prevents the rail from being deformed when it is attached to the substrate. In this case it may be necessary to pre-drill the holes to prevent the screws from breaking or not tightening down sufficiently. The screws in Figure 1 E will be going through 3/4" of 1 x 6 sheathing and 7/16" of plywood. The screws must grip into the wood framing member at least 1" but no more than 1 1/4", so you will need a Tru-Brix screw at minimum 2 1/2" and at maximum 2 3/4".

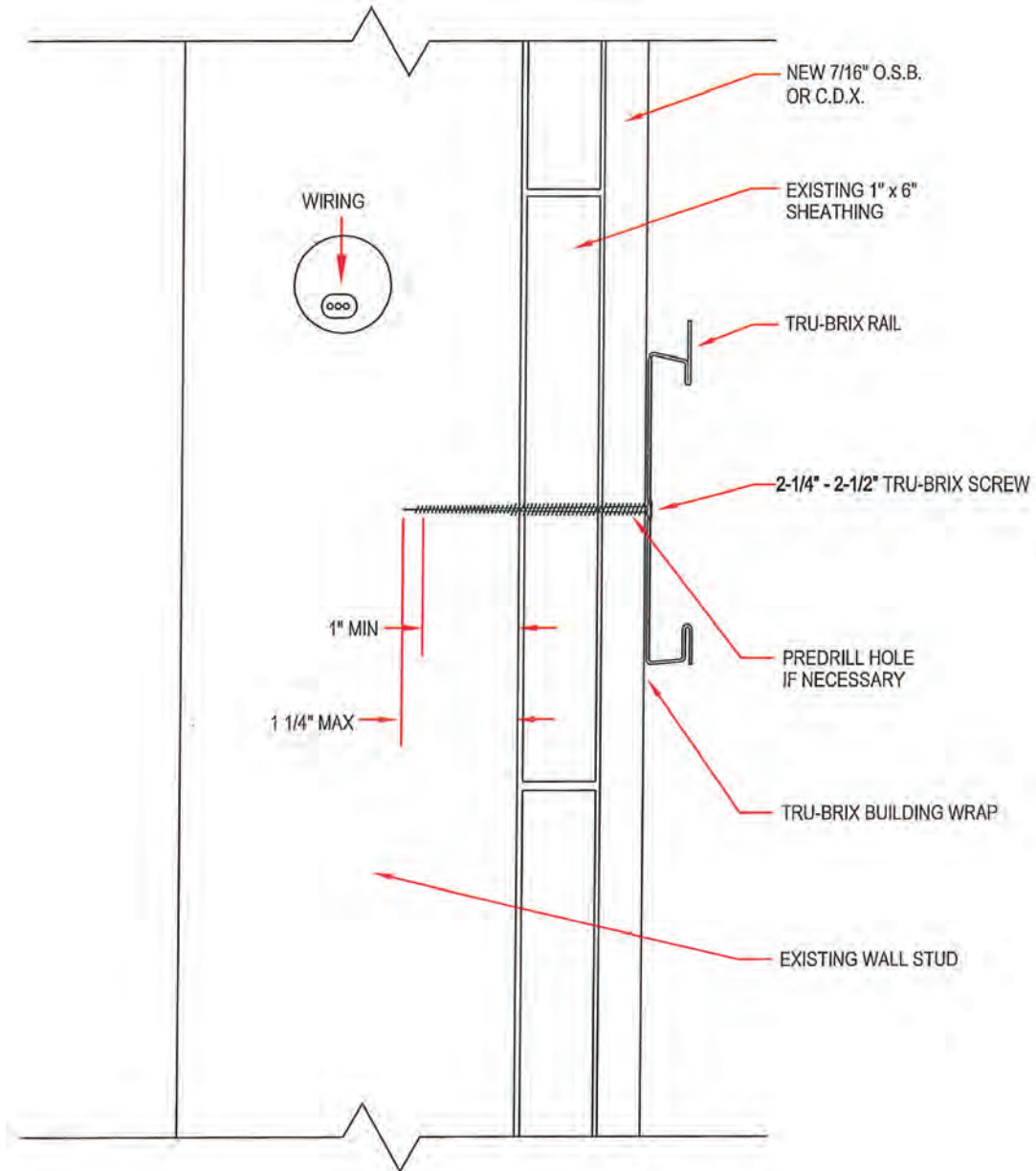


Figure 1E

STEEL FRAMED OR STEEL STUD BUILDINGS:

Self tapping metal-screws will be required to attach the Tru-Brix steel rail on projects that contain steel framing and supports (typically used for commercial projects). See Figure 1G.

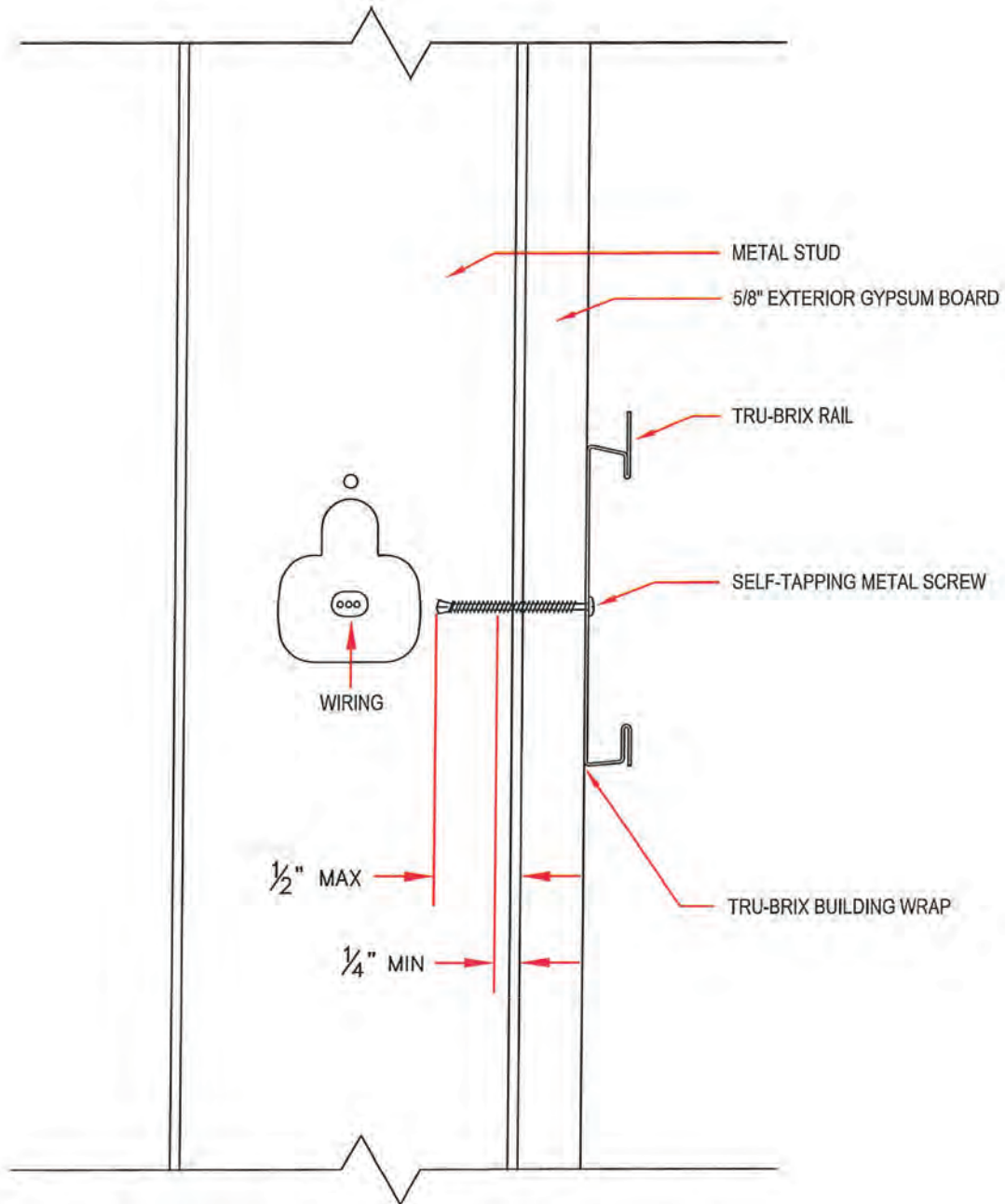
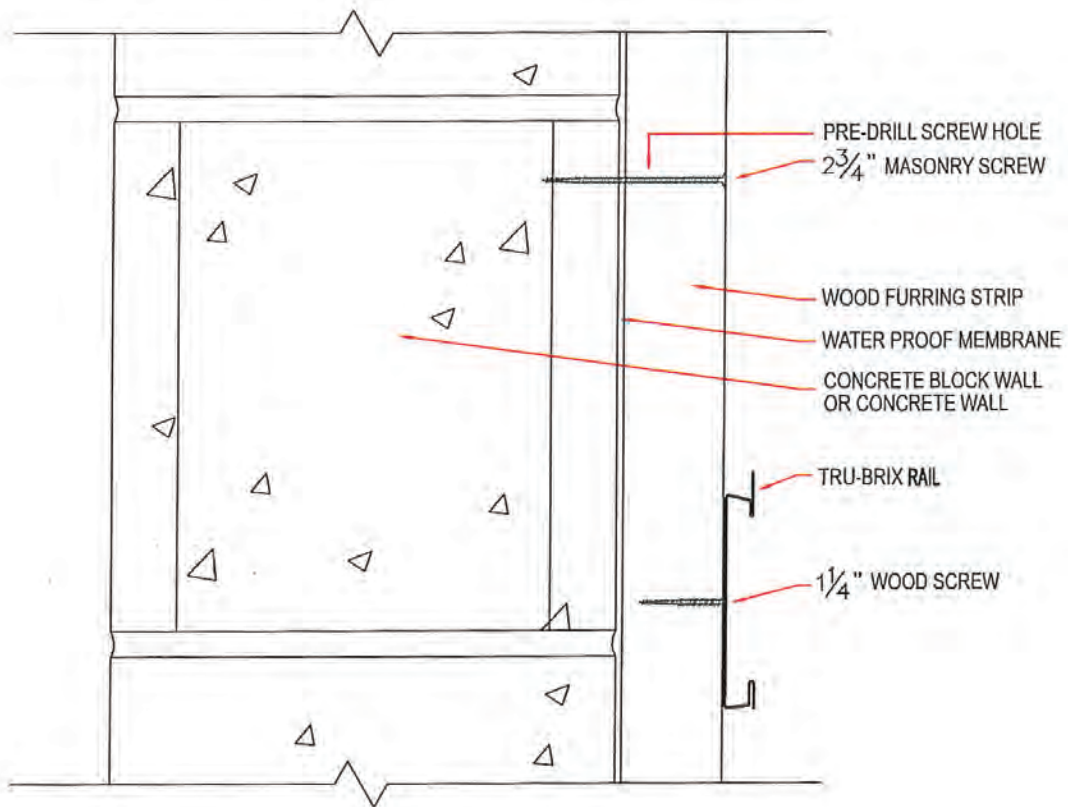


Figure 1G

- **On C.M.U.** – This method is appropriate for both interior and exterior applications. In this method, furring strips are installed on the wall before installing the rails. This allows the furring strips to be shimmed when there are minor deviations in the wall that may be adjusted for when installing the furring strips. This will also allow a thin foam board installation to be cut and put between the furring strips before the rail is installed to give some insulation value to the wall while taking up a minimum amount of space in the room. Pressure treated lumber should always be used when lumber comes into direct contact with masonry. See Figure 11. Tru-Brix can be installed directly to c.m.u. if it is structurally sound and is relatively smooth.



SECTION 3: WALL PREPARATION

SIDING REMOVAL:

It is important to plan your project and not *remove* the existing siding unless you have time to install Tru-Brix building wrap and keep the wall weather tight. If you remove the entire project's existing siding, you should completely install the Tru-Brix building wrap and window and door flashing.

If you choose to remove the siding on one wall section at a time, make sure that you allow for an additional 6" of building wrap at each corner of the wall section. See Figure 2. This extra building wrap will be used to turn corners and will be placed under the Tru-Brix rail on adjacent walls. After installing rail, secure the extra 6" building wrap and prevent it from blowing and allowing water to penetrate through the corner seam.



You should also properly install Tru-Brix Building Wrap and Flashing around all window and door openings once you remove the existing siding.

WALL REPAIRS:

Warped and Bowed Studs – It is recommended to reduce the appearance of uneven walls due to warped or bowed studs prior to installing Tru-Brix steel rail. For studs that are bowed in, a simple solution is tack a cut strip of a fiberglass shingle or wood shim to the bowed area of the wall stud.

If a supporting stud is bowed out, it is recommended to tack fiberglass shingle strips or wood shims to the adjacent wall studs.

Following this suggested procedure should result in a smooth wall plane.

Vertical Wall Offset – (Shown in Figures 4A and 48.) For large offsets, it is recommended that you cut wood wedges and have them start the same distance as the offset and taper no more than $\frac{1}{16}$ " per inch of vertical height. Attach these tapered wedges to the vertical studs that the rail will be attached to. Make sure that the Tru-Brix fastener will be long enough to grip a minimum of 1" and a maximum of $1\frac{1}{4}$ " into the supporting stud after being installed through the wood taper.

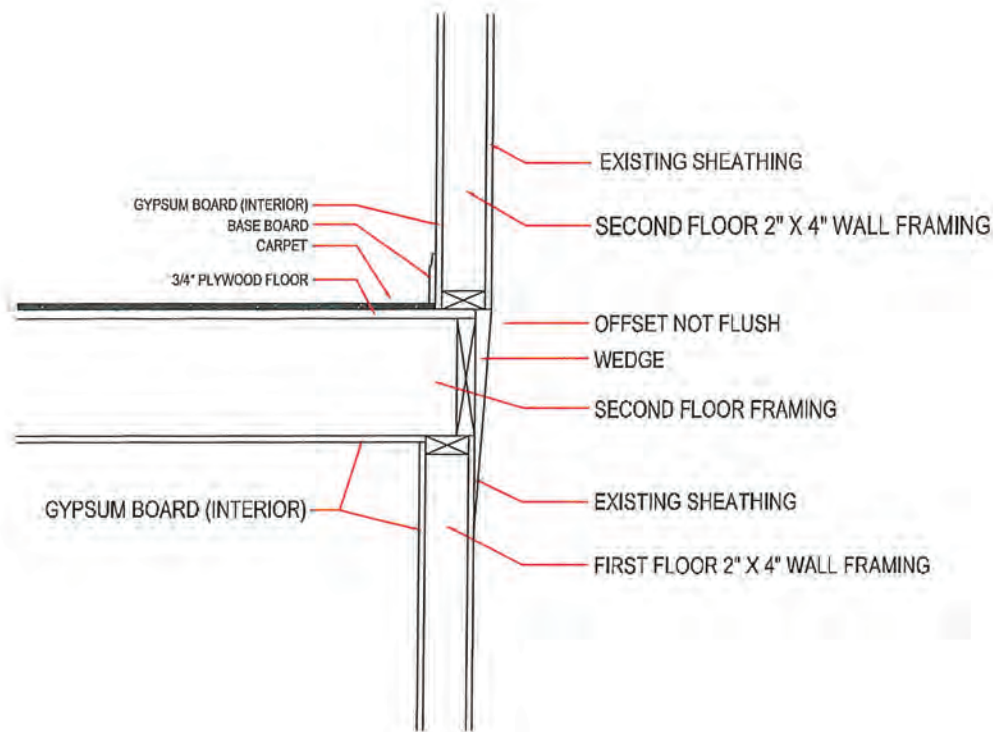


Figure 4A

Corner Not Flush – In the examples shown in Figure 4C and Figure 4D, you will need to use plywood that is the correct thickness to make the corner offset flush. Cut the plywood to the appropriate width and install where needed to eliminate any offset. Make sure that the Tru-Brix fastener will penetrate a minimum of 1" and maximum of 1¼" into the corner supporting studs.

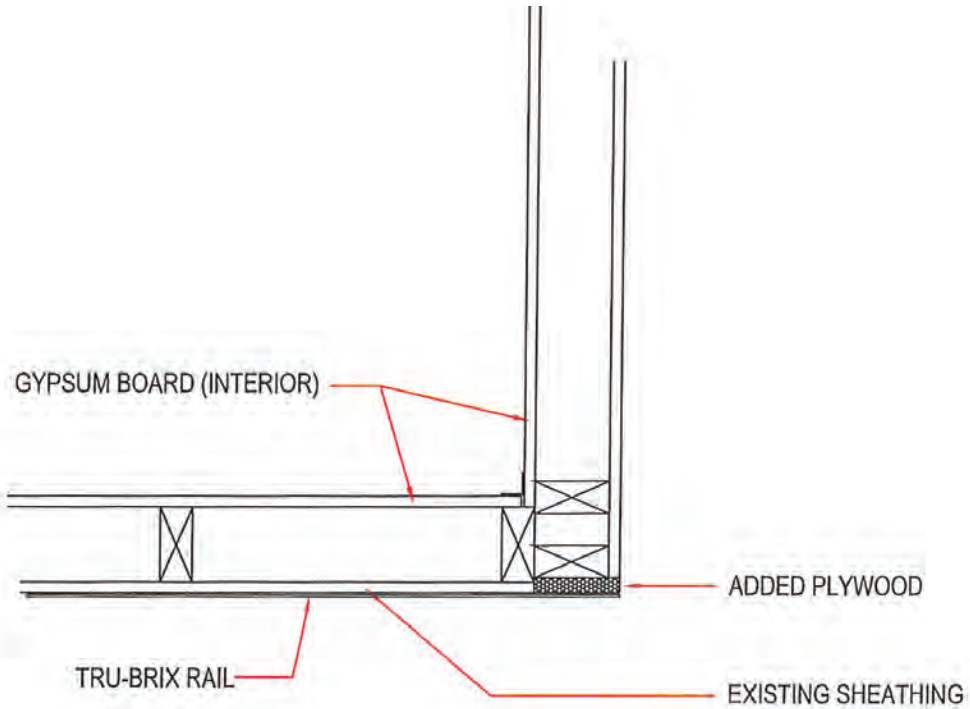


Figure 4C

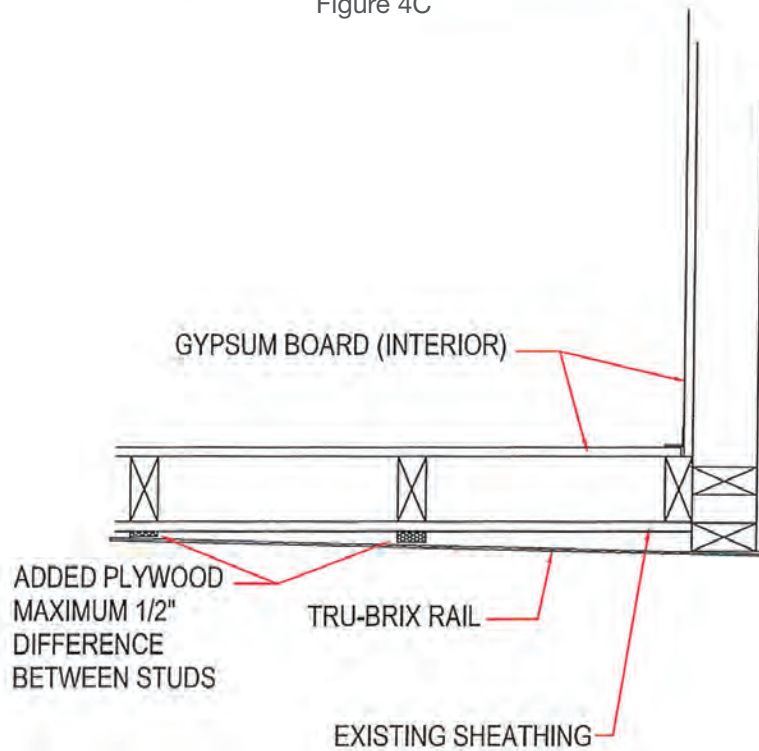


Figure 4D

Tru-Brix Building Wrap – After completing all wall preparation, apply the Tru-Brix Building Wrap to as much of the walls as is practical. The wrap must be placed horizontally. Cover everything, including windows and doors.

- Start at ground level. Make certain that the wrap reaches lower than any wood framing. Cut out for steps, porches, etc. as necessary. Use a slap stapler or plastic cap nails to hold the wrap in place. Do not use a slap stapler when installing wrap over soft insulating board; in this case, you will need to use plastic cap nails driven through the foam and into the studs. At top corners, apply 6 to 10 staples or cap nails, then apply staples or cap nails approximately every 6"-8" along the top. Then apply staples or cap nails along vertical edges approximately every 12". Apply more staples or cap nails as needed to prevent the wrap from sagging or being affected by wind.
- At any place the wrap is damaged, cut or torn, use the Tru-Brix Wrap-Tape to make repairs.
- At windows and doors, cut the wrap away as shown in the steps in Figure 6. At window and door heads, cut diagonal slits above the window at about 45 degrees for 8", as shown in Figure 7. The flashing will be applied underneath the wrap here later.
- When installing wrap on second or subsequent levels, overlap the lower previously installed wrap by 10". See Figure 8A and Figure 8B. This overlap does not need to be taped.



Figure 6



Figure 7

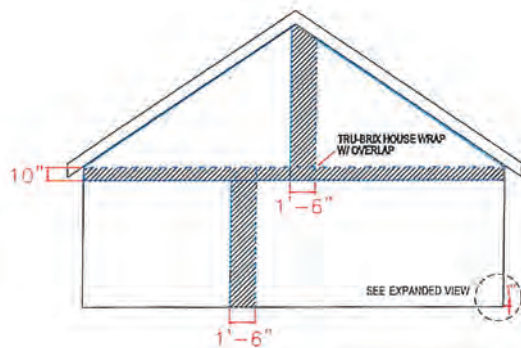


Figure 8A

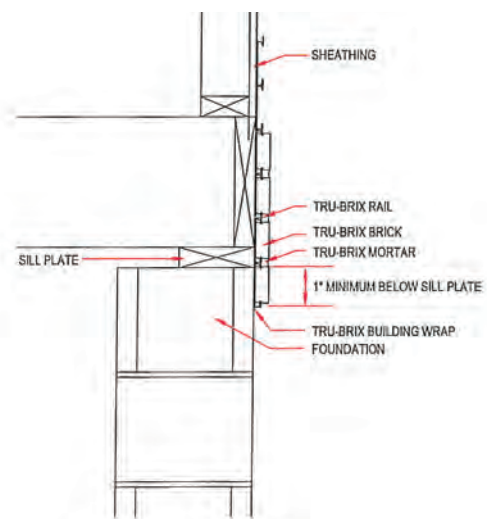


Figure 8B

- When applying the Flashing above the windows, hold up the flap of wrap and apply the flashing directly to the sheathing, but bring it out over the Wrap at the ends. See Figure 10. Do not cut the head flashing at the window corners; instead, force it around the window frame corners as shown in Figure 11.

Otherwise, there could be an open seam in the flashing at this critical position. Staple the wrap over the window, if necessary. Use Tru-Brix Wrap Tape to seal the two cuts in the wrap over the flashing as shown in Figure 12.

- At wall corners, you may cut the Tru-Brix Wrap if it is difficult to continue along the next wall. The cut should be at least 3" beyond the corner. When continuing with the next layer of wrap, it should overlap the first layer by at least 2". Corner flashing must cover this seam in the wrap as described in the next section.

Corner Flashing – Apply flashing tape on top of the Tru-Brix Building Wrap at all external and internal building corners, including at bump-outs and bays, so that approximately 3" is applied to each wall.

- It is best to have one continuous piece of flashing the whole height of the corner. If you must use multiple pieces, overlap the upper piece over the lower piece by 2". Use nails at every 20-24" on both sides of the corner, approximately 1" in from the edges of the Flashing. Nail the Flashing so that the nail heads compress the flashing material without puncturing it.
- When windows, doors, other sidings, or J-Channel are within the 3" distance of the corner that would be covered by the corner flashing, turn the corner flashing out against the edge of the other material, similarly to the instructions for window jamb flashing above.
- When doing a retrofit project, do not expose more wall than you can cover with Tru-Brix Building Wrap and Flashings before the end of the work day. Do not leave corners exposed overnight if possible, and certainly never longer than the next day. This could expose the building to leaks that could affect the finished interior of the building. For new construction, this requirement is usually not necessary.

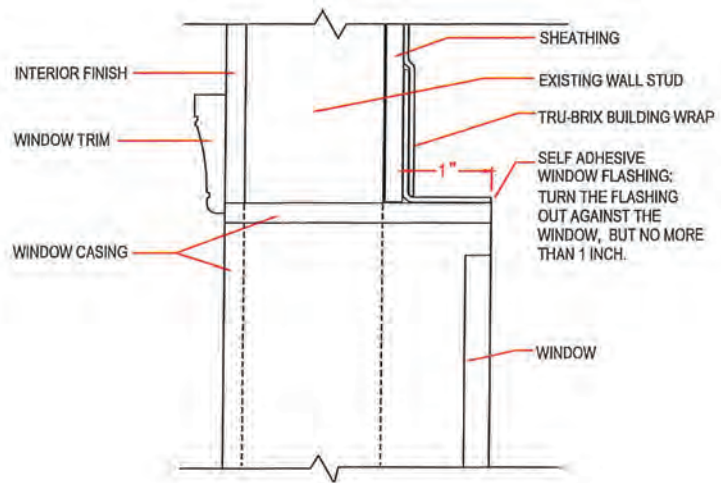


Figure 10



Figure 11



Figure 12

- Cut a 45 degree angle on the face of the J-channel. Snip the back corner of the J-channel even with the 45 degree cut on the face of the J-channel and bend this tab back at a 90 degree angle. See Figure 16.
- Then nail this piece of J-into place lapping the 45 degree cut over the face of the bottom J-channel (if the two faces will not stay snug you can use an 1/8" aluminum pop rivet to hold them together). See Figure 17.
- If you have measured correctly, the top of the J-channel will be flush with the top of the window. See Figure 18. If the J-channel is long you can easily trim it at this time. If it is too short, you will need to start this piece again.
- Nail the J-channel tightly into place, nailing through the nail slots approximately every 6".
- Repeat this step for installing J-channel on the other side of the window.

See Figure 19 for a completed installation.



Figure 15

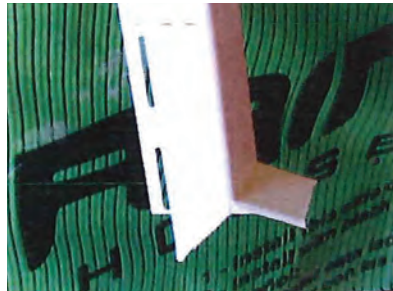


Figure 16



Figure 17

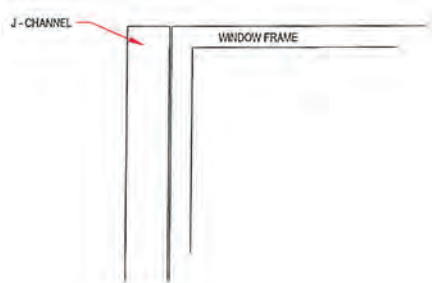


Figure 18



Figure 19

- Snip the back corner of the J-channel even with the 45 degree cut and bend this tab down at a 90 degree angle. See Figure 22.
- Install this piece of J-channel with the 45 degree angle on both ends overlapping the face of the side pieces. See Figure 23.
- Nail this into place with roofing nails spaced approx. 6" apart and nailed 2-4" from each end.
- If the two faces will not stay snug you can use an 1/8" aluminum pop rivet to hold them together.

See Figure 24 for a completed installation.



Figure 22



Figure 23



Figure 24

Move along your starting wall to the next opening, Point B, and measure from the soffit down a distance equal to H1; mark this as Point B. Repeat this procedure for Points C,D,E, and F. Once all marks have been made, snap a chalk line between Points A and B, Points C and D, and Points E & F. Make sure that the chalk line between Point C and D and the chalk line between Point E and F align at the corner. Rails that intersect at all corners must align or the Tru-Brix corner units will not fit properly.

MARKING VERTICAL COURSING LINES

Modular size Tru-Brix rails are 3.20" in height and 5 rails will course every 16". Modular rail are 2.67" in height and 6 courses will equal 16" of wall height when installed snugly against each other. This is the ideal condition to maintain the optimum joint size and spacing. There will be times when you will spread the rails out slightly in order to adjust coursing to meet certain conditions, such as window sills. See Section 5 – *Adjusting Coursing to Meet Window Openings*. The rails should never be spaced at more than $3\frac{5}{16}$ ", maintaining at least $\frac{1}{8}$ " overlap of the flanges where the rails meet. Snap additional chalk lines in 16" intervals above or below the chalk lines marked in the step above.

FINDING AND MARKING WALL STUDS

Prior to installing rails, it is helpful to locate and mark the location of wall studs. Marking the stud locations will speed up installation and prevent fasteners from being incorrectly installed in the exterior sheathing.

INSTALLING THE FIRST RAIL

Align your first rail at Starting Point A and parallel with Chalk Line A-B, as referenced in Figure 25 on the previous page. Using a screw gun, insert a Tru-Brix fastener through the Tru-Brix rail and into the closest stud. Tighten the screw until the screw head is flush with the rail surface. Before inserting another screw, check the alignment of the rail and make sure that it is aligned with the chalk line. Insert another screw through the Tru-Brix rail and into the closest stud at the opposite end of the rail from Starting Point A. Check the alignment of the rail and finish inserting screws into every stud along the length of the rail.



CAUTION!

All screws should be tight and anchored into supporting wall studs. Remove all improperly installed screws and caulk the screw hole with exterior grade silicon sealant to prevent water penetration. Screws should penetrate into the supporting wall stud or frame member by at least 1" and no more than 1 $\frac{1}{4}$ ".

Tru-Brix rails are available only in 12' lengths. When installing rails along a wall section that is longer than 12', it is important to stagger the rail joints and maintain a minimum 16" offset in joint placement between adjacent rails. See Figure 27. Use the appropriate fastener and install a fastener at every stud along the length of each rail.

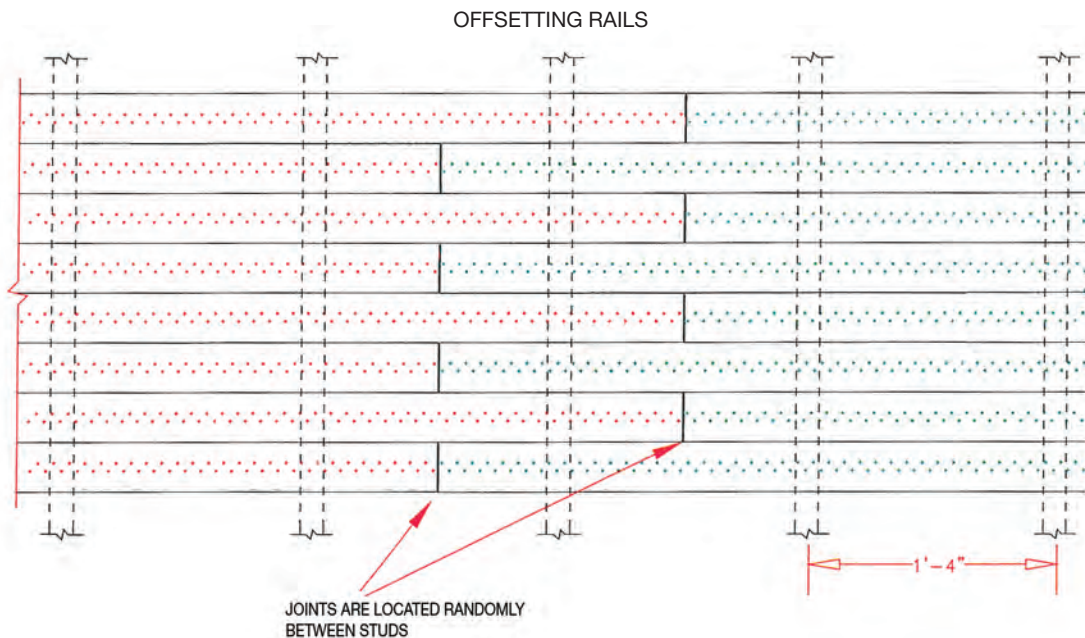


Figure 27

**CAUTION!**

It is important to check the entire length of every rail to be sure the rails are positioned correctly. If they are not positioned correctly, you may have to remove rails, which can cause hidden damage to the Tru-Brix Building Wrap.

**CAUTION!**

Joints between rail ends must always occur halfway between two studs. Both rail ends should be the same distance from the nearest studs. Never attempt to join two rail ends at the same stud. Always maintain $\frac{1}{8}$ " gap between rail ends.

**HINT!**

Walls will often be out of plumb containing both bowed and concave wall studs. It is possible to remove much of the unevenness in a wall by inserting shims behind Tru-Brix rails during installation. Shims can be purchased from your local lumber dealer or fiberglass shingles can be cut and used for the same purpose.

Measurement From Point A to Starting Point	45.6"
Divide by 3.2"	/ 3.2"
	14.52 rail pieces
Round down to nearest whole number	14
Multiply by 3.2"	x 3.2"
Coverage Before Adjustment	44.8"
Measurement From Point A to Starting Point	46.5"
Subtract Coverage Before Adjustment	- 44.8"
Difference	1.7"

Determining Rail Adjustment – Tru-Brix rails can be adjusted up to 1/8" for each rail, allowing installers to adjust openings. Since each rail can be adjusted up by 1/8", it is possible to gain one vertical inch for every 8 rails installed.

Using the example above, it has been determined that it is necessary to adjust coursing by 1.7", or rounding up to 1 3/4". After installing the first rail at Starting Point A, install the second rail tightly against the first rail. Before fastening, slightly raise the second rail 1/8". Repeat this process until you reach your wall opening. You must maintain at least a 1/8" overlap between rails. See Figure 30.

- Course Adjusting to Meet the Top of Window Openings** – The first step is to measure the distance from the top of the rail that is level with the bottom of the window opening up to the top of the window opening. To determine the number of required rails, divide this measurement by 3.2". Round this number down to an even number and multiply by 3.2 ".

This is the amount of vertical coverage without adjusting coursing. To determine the distance to be adjusted, subtract this number from you original measurement. Divide the difference between the measurement and normal coverage by 1/8" to determine the number of rails that will need to be adjusted to meet your coursing target. See the following example for a sample calculation.

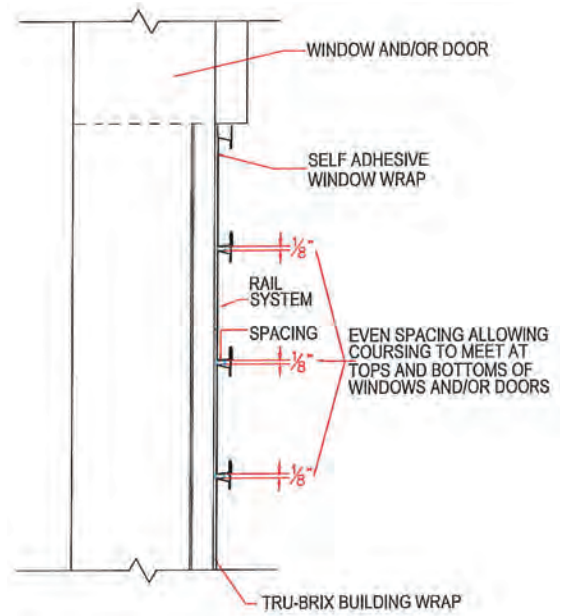


Figure 30

TRU-BRIX ARCHES

Each Arch requires one Tru-Brix Keystone and several Tru-Brix Arch Pieces, both Left-hand and Right-hand. The number of Left and Right Arch Pieces will be determined by the size of the window opening. These standard Tru-Brix accessories are shown in the Standard Shapes Section in the Appendix. All of the Tru-Brix Arch Pieces are 9 1/8" high and can be cut to fit the height required by the position of the Tru-Brix Rail.

- If your coursing matches the window height so that the bottom of the rail above the window is within 1/2" of the top of the window casing, skip the next step.
- If the coursing does not meet the window head, then the Tru-Brix Arch can be cut to fit the dimensions required. Mark the positions of the rails that will be installed above the window. Measure the distance from the top of the window casing to the bottom of the rail above the arch. Subtract 1/8" to determine the exact height of the arch and keystone pieces. See Figure 38. When you finish placing the arch rail pieces, you will cut the pieces to this dimension. Cut only the tops of the arch pieces and keystone, because the bottoms may be exposed to view and should remain finished.
- If using the Tru-Brix Arch Template, set the center-of-keystone mark on the template at the center of the window casing. Mark the locations of the arch rails using the notches in the template. See Figure 39. Move the template as necessary to reach the window jamb. See Figure 40. If the last position indicated by the template is inside the casing of the window jamb, adjust the marks you have made by spreading them apart until the last mark meets the jamb. See Figure 41. Remember, you must not separate the rails by more than 1/8".

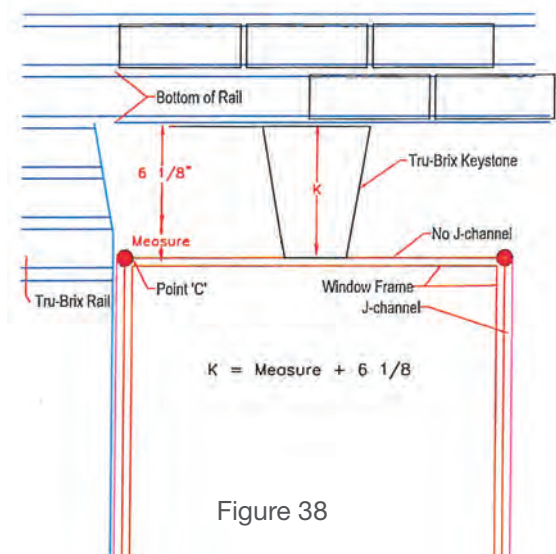


Figure 38

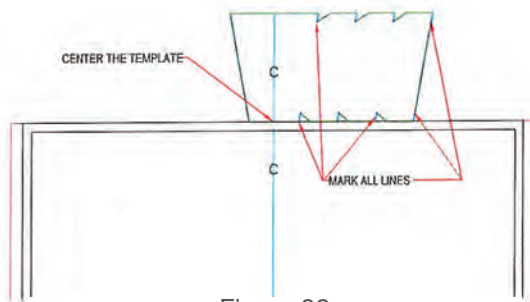


Figure 39

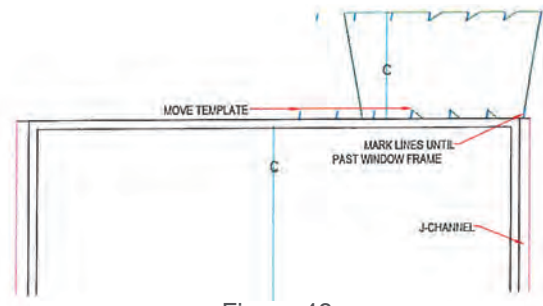


Figure 40



Always maintain a minimum 1/8" interlock of the flanges of adjacent rails.

TRU-BRIX SOLDIER COURSE

This technique uses regular Tru-Brix Tiles in a vertical position above the windows, similar to an arch. They can be installed with or without a J-channel at the window head.

- Tru-Brix Tiles are $7\frac{1}{8}$ " long. You will need to measure the distance from the top of the window frame to the apparent top of a horizontal rail position, that is less than $7\frac{1}{8}$ ". See Figure 43.
- Next, measure the window frame and divide by 3.2. This is the theoretical number of soldier pieces to cover the top of the window if the rails are installed normally (tight against each other). Take the next highest odd number as the actual number of soldiers you will install. Always use an odd number of soldiers for the best appearance. It is okay for the soldiers to end outside the window jambs, but never inside.
- Mark the center of the window head. Mark the center of a soldier brick. Place the soldier brick in a piece of rail and align the center marks. Use a carpenter's square or level to hold this piece vertical. Mark the two sides of the Rail on the Wrap. You can now install the center rail piece to these marks, and finish installing the other soldier rail pieces.
- Cut the Tru-Brix Tiles to length and install in the Rail sections in the same direction, meaning keep the "lips" all to the left or all to the right. Complete all of the windows at each level before continuing to place the remaining horizontal rails.

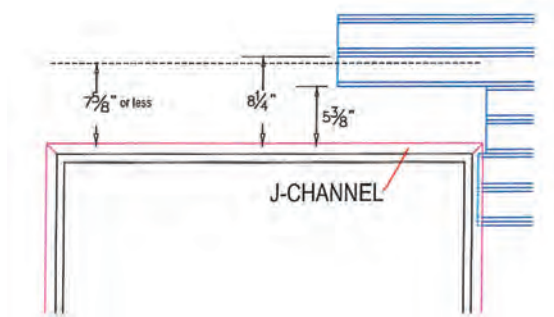


Figure 43

WINDOW SILL TREATMENT

Using a Tru-Brix S6 Sill is an easy and attractive method of installing Tru-Bix below windows.

- First, cut a piece of Tru-Brix steel rail the same length as the width of the J-channel below the window or the bottom of the window frame (if J-channel was not used).
- Second, snap two Tru-Brix S6 sills into each end of the cut rail.
- Third, place the rail and S6 sills directly below the bottom of the window frame. Slide the rail up until the top of each S6 sill is snug against the J-channel. See Figure 46A. If not using J-Channel, trim the top flange of the rail so the rail sits snugly against the bottom of the window frame. See Figure 46B. Using your screw gun, apply fasteners until the rail is securely fastened. If J-channel was not used, apply a bead of high-quality exterior sealant in the gap between the S6 sill and the window frame as shown in Figure 46B.
- Finally, remove the two S6 sills and install fasteners at each end of the rail.

Next you must lay out the S6 sills to determine if it is necessary to trim the sill tiles. Each S6 sill measures $7\frac{5}{8}$ " in length. After adding $\frac{3}{8}$ " for the mortar joint, an installed S6 will measure 8". Re-measure the length of the rail you installed below the window. Divide this measurement by 8" to determine the quantity of sills required.

It is important to trim the S6 sills so that they are equal in length. See the following example for a sample calculation.

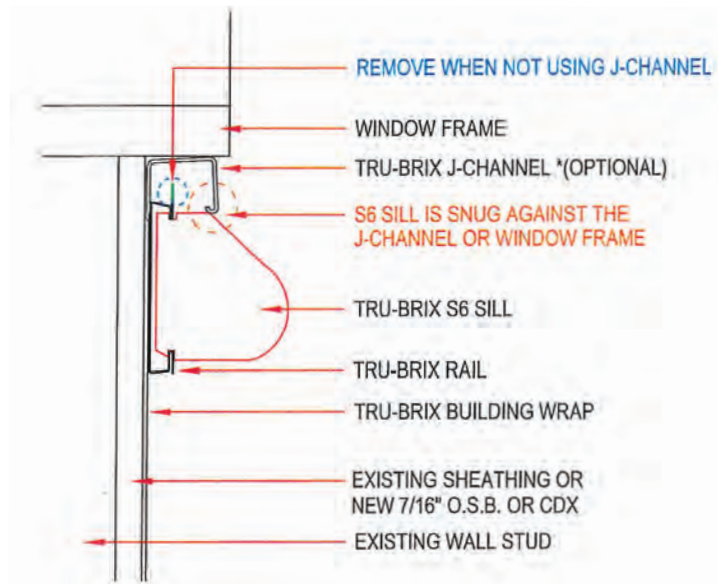


Figure 46A

SPECIAL DETAILS

Gable/Roofline Areas

Here are two ways to finish your project when Tru-Brix walls end at roof lines:

- **Traditional Stepped Counter Flashing** – Shown in Figure 47.
- **Straight Counter Flashing** – Shown in Figure 48.



Figure 47



Figure 48



Figure 47



Figure 48

Gable/Eave Areas

There are two ways to finish your project where a Tru-Brix wall intersects at an eave or gable:

- **Using Tru-Brix J-Channel** – If you choose this option, you must install the J-Channel prior to installing Tru-Brix rails and tiles. See Figure 49.
- **Using Tru-Brix Snap on Lineals** – Finishing this detail with a lineal not only provides a very attractive appearance but also allows the installer more flexibility when cutting rail and tiles to fit at an eave or gable line. Tru-Brix Lineals are designed to snap into Tru-Brix J-Channel. Install J-Channel prior to installing rail and tiles, then snap the Lineal on to the J-Channel after the Tru-Brix tiles have been installed and grouted. See Figure 50.

ADJUSTING FOR BOND PATTERN

If it is necessary to use a Tru-Brix tile that is less than full-length, it is best to place this tile at a wall end, corner, or wall opening. To maintain an attractive bond pattern, you may adjust vertical head joints and slide brick tiles in the rail until the rail only contains full brick tiles. Do not open the vertical head joints larger than $\frac{5}{8}$ " or smaller than $\frac{3}{8}$ ".

FILLING THE SECOND RAIL

If you started the first rail with a Tru-Brix Corner unit, start filling the second rail by inserting a full tile centered directly above the first vertical joint. If you started the first row with a full tile, start the second row by inserting a half-tile at one end of the wall. The first vertical joint of the second row should be directly above the center of the tile below.

TRU-BRIX FRONT EXTERIOR PROJECTS ONLY

If you removed existing siding as described in Section 3 – *Wall Preparation*, it will be necessary to cut the long leg of a Tru-Brix corner tile down to $3\frac{5}{8}$ " for use on the second rail and every alternate rail on the front exterior. Only one leg of a Tru-Brix Corner unit contains a groove and the groove end of the cut corner should be installed in the front exterior rails.

Maintaining Bond Pattern between Window and Door Openings

Before installing tiles between window openings, inspect the tile positions in the first two rails to determine if this tile pattern will create an attractive appearance between and around any wall openings.



CAUTION!

It is recommended to not install Tru-Brix tiles that are less than 2" long. If maintaining the bond pattern will result in pieces less than 2" around any opening, then it is suggested to go back and re-adjust the tile positions in the first two rails.

TRU-BRIX MORTAR MIXING

- 1) Start with the two 5-gallon buckets. One full of clean water and carefully measure 6 quarts of water into the other 5-gallon bucket that you will do the mixing in.
- 2) Open the bag of mortar and pour approximately $\frac{3}{4}$ of the bag into the bucket containing 6 quarts of water. If using a colorant, add it at this time.
- 3) Begin mixing immediately with the "turbo mixer" and drill. Be sure to get the corner all the way around the bottom of the bucket. If you don't thoroughly mix the mortar you will have clumps of mortar in the mixture that will cause the mortar gun to plug and jamb which obviously will be very annoying when you are trying to place the mortar in the wall and will waste time.
- 4) After about 2 minutes of mixing you will have a bucket full of too wet to use mortar, add the remaining $\frac{1}{4}$ bag of mortar, at first just stir the added dry mortar into the wet mix.
- 5) Then using the power drill again, begin thoroughly mixing the mortar for approximately 2 more minutes.

If the mortar is too dry to flow through the mortar gun, add only a very small amount of water ($\frac{1}{2}$ cup or less) and mix for about another minute.

If the mortar is too wet and runs out the tube too quickly just let it stand undisturbed for about 5-7 minutes and try again.

If you do not use the mortar quickly enough and it begins to thicken and becomes difficult to use, just add a small amount of water and re-temper (re-mix) until creamy and smooth and flows properly through the mortar gun again. This can be repeated as necessary.

- 6) Install the mortar in a methodical fashion working up from the bottom to the top so that when you begin striking you can easily follow the same path that the mortar was installed in to avoid hitting wet (most recently installed mortar) while striking firm (first installed/ready to be struck) mortar for an even and consistent appearance.
- 7) Overfill the joints, making sure there are no voids. Begin striking when the mortar is firm, not when it is too wet but soon enough that it strikes easily.
- 8) Strike the head joints of about 10-12 brick (the head joints are the vertical joints between the brick) and the bed joints (the horizontal joints) and continue this process until you have struck off a section of approximately 20-30 brick, then lightly brush this section down to clear off the small crumbles of mortar still on the face of the brick and on the mortar joints. If you have struck at the correct time these crumbs will easily fall off and not smear onto the face of the brick. Continue this process until you have finished striking the most recently installed mortar and **repeat this process again on this section** to achieve a very clean and neat mortar finish **OR leave it alone after the first strike and brush down for a more rough and rustic appearance**. Take a walk and have a close up look at some brick walls to get an idea of how you want your wall to look. Of course the brick style you have will be a factor as to how your mortar should and will appear.

*For first time Do-It-Yourselfers, begin by only doing half batches of mortar until you have become proficient at this process—mortaring is the tedious and slow part of the project and feeling pressured to rush through so as to not waste mortar will make the mortaring a frustrating job.

*If the mortaring process is done neatly the wall will not need cleaning, however if the striking is begun too early and the mortar is too wet when the brush down is done there will be mortar smeared on the face of the brick and additional cleaning will be necessary.

*If mortar overflows the joint and runs onto the face of the brick when pumping in the mortar—LEAVE IT ALONE until the time you are striking that area and it should fall right off of the brick, if you try to scrape it off while it is still very wet it will smear on the face of the brick.

*Before mortaring begins make sure to protect the adjacent areas and floor. Always use gloves when handling any cement based products. This highly modified mortar may cause harsh chemical burns if gloves or other protective gear are not used.

*No brick wall is perfect and no two masons have the same technique, many feel that is the charm of brick, so don't fret if yours has a unique appearance. Don't get caught up trying too hard for perfection up close. Step back and look at the overall appearance and as long as it looks right from a couple of paces away then it's good and right.

*You can pick up some still soft "fall off" at the bottom of the wall or scrape off excess mortar from an overfilled joint at an unstruck area to fill the occasional void in the mortar when striking.

PREPARING THE TRU-BRIX MORTAR POINTING GUN

- Once assembled, lightly spray WD40 or a similar lubricant into the gun's tube. Also lightly coat the rubber gasket attached to the gun's plunger.
- Using the garden trowel, fill the pointing gun cartridge completely with mortar.
- Begin filling the Tru-Brix joints by starting with the vertical head joints. Work carefully to prevent excess mortar from dripping on the brick faces.
- After two rows of vertical head joints, begin filling the adjacent horizontal bed joints.



CAUTION!

Make sure that all head joints are completely filled. If some joints are not completely filled, take mortar from a joint that has been overfilled. Simply scrape the excess off with the striking tool and apply the mortar to the joint that is underfilled.



HINT!

If you spill mortar on to the faces of the tiles, wait until striking is completed before trying to remove the mortar droppings. If you immediately try to remove the droppings, the mortar will smear and cleaning will be required when finished grouting.

SECTION 8: COMPLETING THE PROJECT & CLEANING

CLEANING INSTRUCTIONS

Cleaning Tru-Brix projects should not be necessary. However, if cleaning is necessary to remove unsightly mortar smears, please contact your Tru-Brix supplier for cleaning details.



Improper cleaning may result in damage to your Tru-Brix project and you should clean only after obtaining advice from your Tru-Brix supplier.

CAUTION!

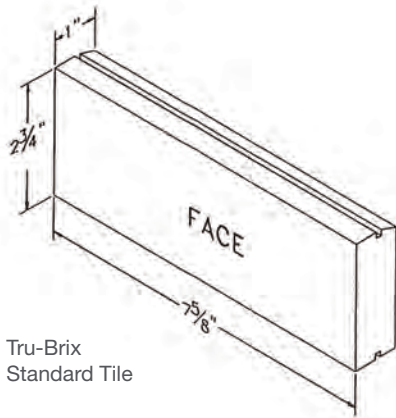
SOIL/WALL STAINING PREVENTION

After finishing your project, you should make sure that exposed ground around the base of the Tru-Brix walls is covered and prevented from staining the Tru-Brix tiles during rainstorms. Straw is an excellent temporary ground cover prior to final landscaping.

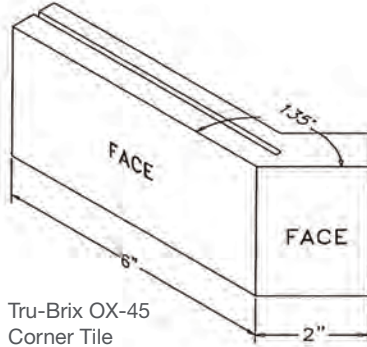
PHOTOGRAPHY

Take a picture of your completed project and proudly show it to your friends, relatives, neighbors, and customers.

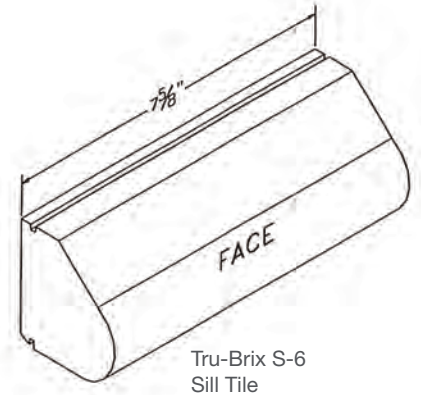
APPENDIX A: STANDARD SHAPES



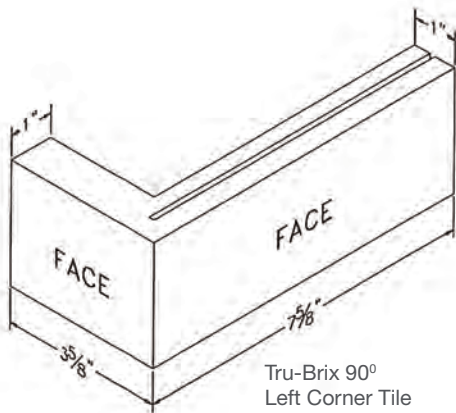
Tru-Brix Standard Tile



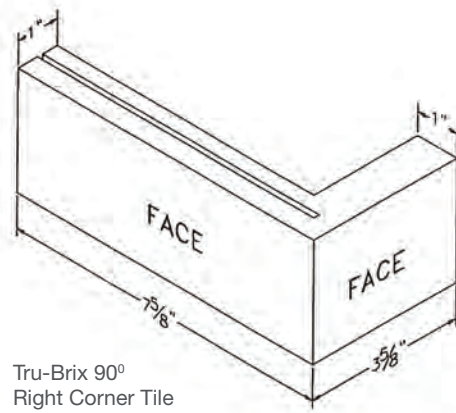
Tru-Brix OX-45 Corner Tile



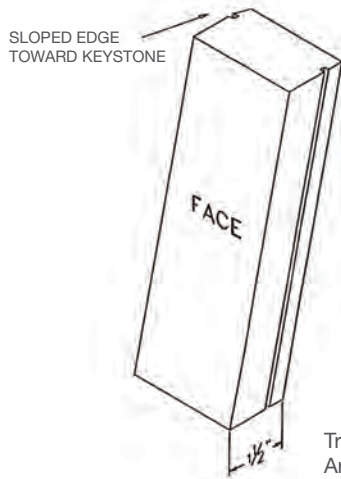
Tru-Brix S-6 Sill Tile



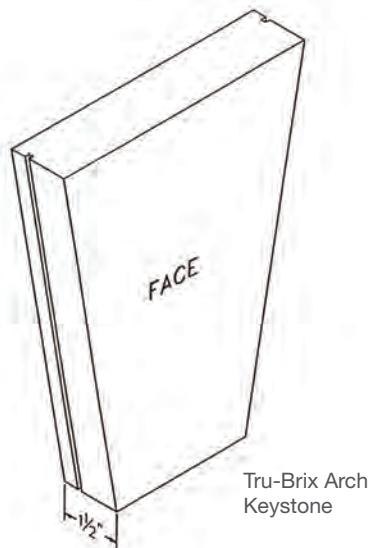
Tru-Brix 90° Left Corner Tile



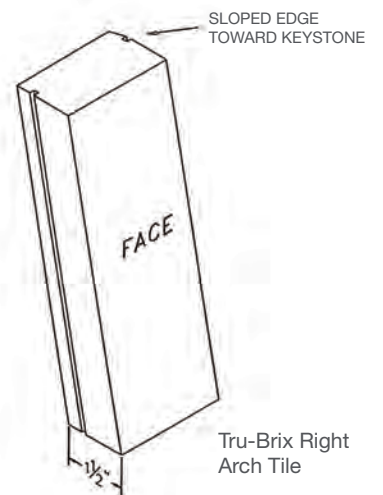
Tru-Brix 90° Right Corner Tile



Tru-Brix Left Arch Tile



Tru-Brix Arch Keystone



Tru-Brix Right Arch Tile